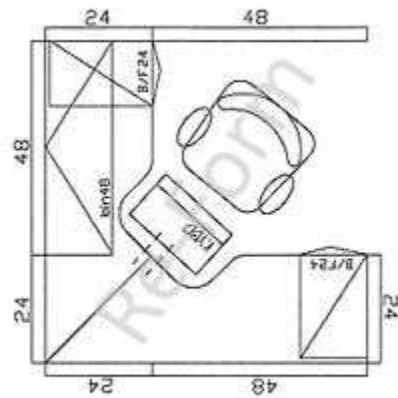


6x6 Split Corner – 36 sq/ft Typical Layout

This non-traditional configuration works well for computer intensive work and opens up a little more floor space within the cubicle work station. It also costs less than the conventional corner configuration with three work surfaces.



Copyright © - Re-form Office Furniture Remanufacturing